

Rev.	Date	Description	Mark

HAINES LETNIKOF COVE PIPE FLOAT  
**CONCEPT #3 CONCRETE FLOAT PLAN**

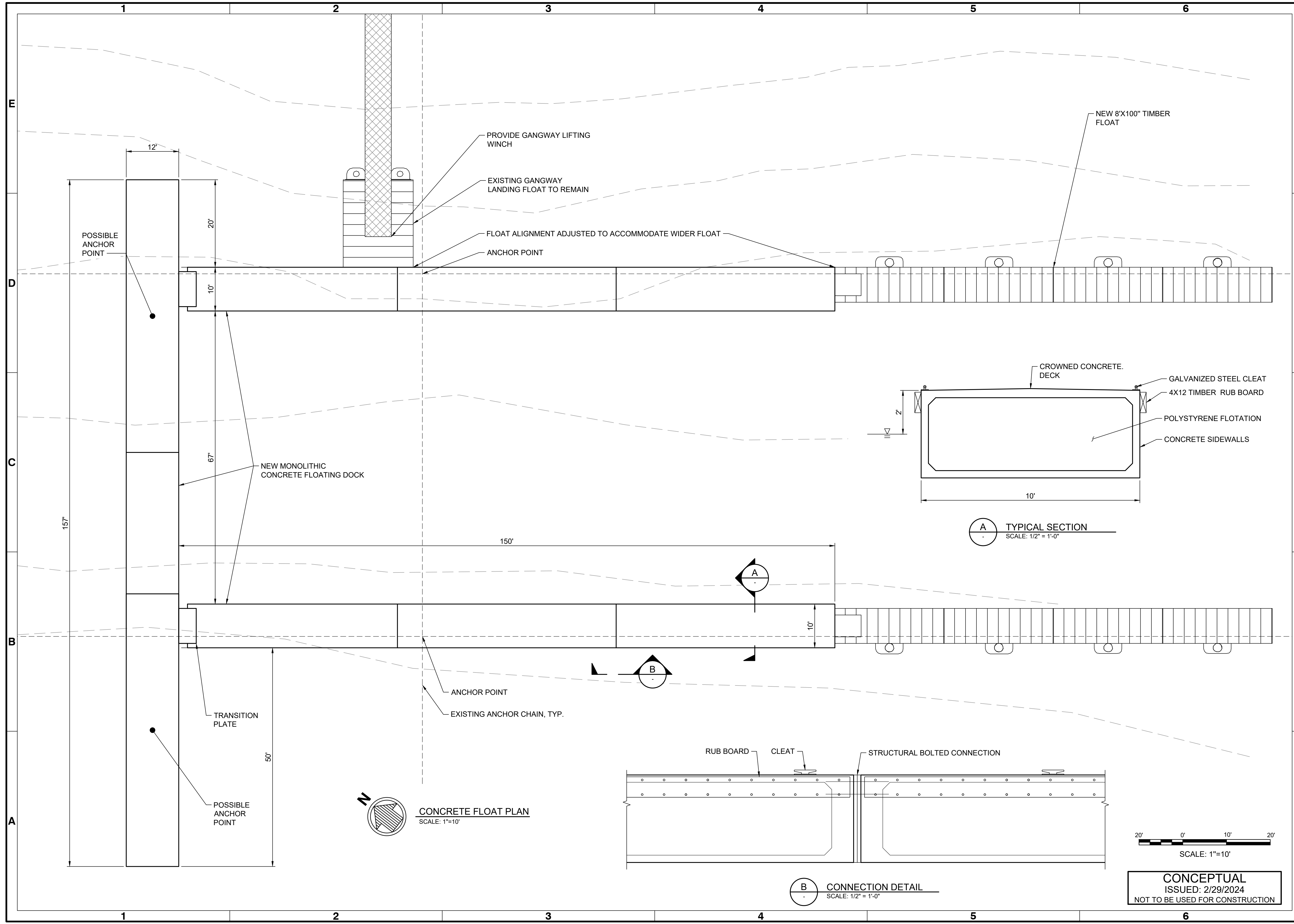
Designed by:	CB	Checked by:	MB	Reviewed by:	REY/R	Submitted by:	MOFFATT & NICHOL
Date:	2/29/2024	M&N Project No.:	232899	Drawing code:		Drawing Scale:	1" = 10' (0 SHEET)

880 H STREET, STE. 208  
 ANCHORAGE, AK 99501  
 907-677-7500

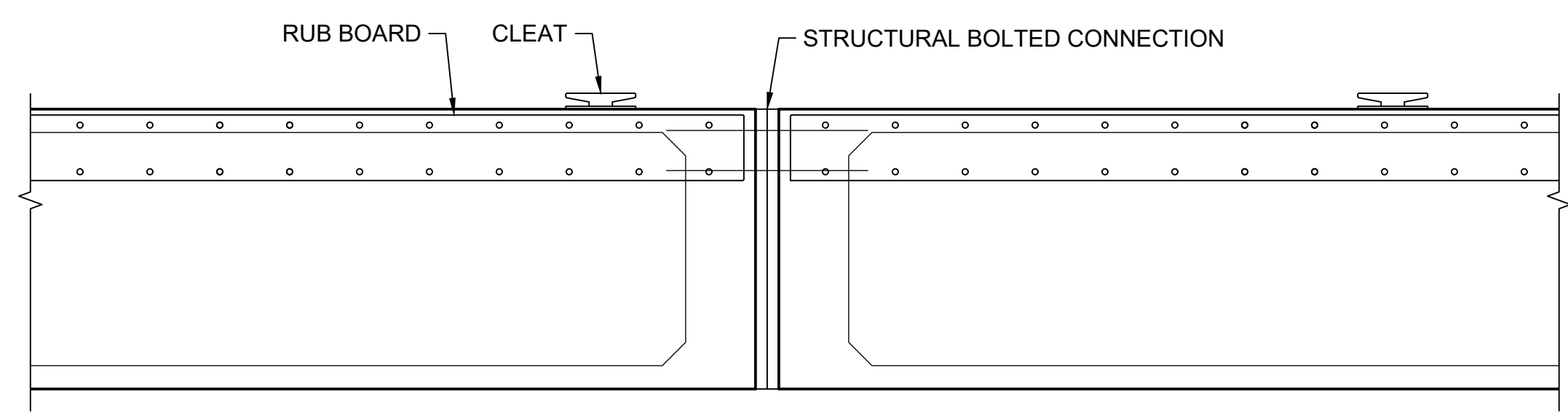
**moffatt & nichol**

SEAL

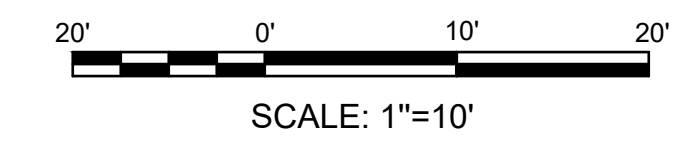
Sheet Reference No.  
**C-103**  
 INDEX: 5 OF 6



**A** TYPICAL SECTION  
 SCALE: 1/2" = 1'-0"



**CONCRETE FLOAT PLAN**  
 SCALE: 1" = 10'



**CONCEPTUAL**  
 ISSUED: 2/29/2024  
 NOT TO BE USED FOR CONSTRUCTION