



Rev.	Date	Description

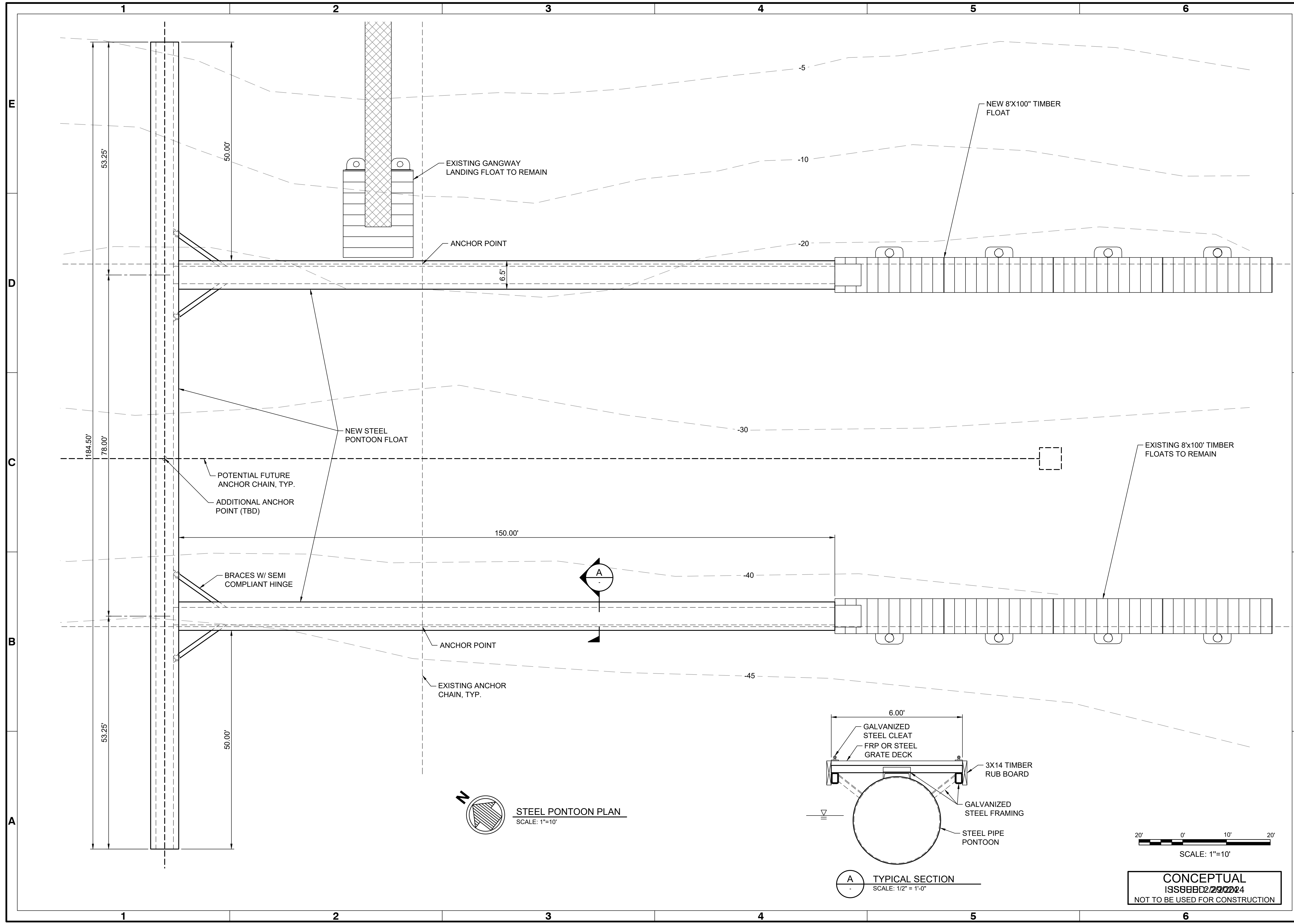
HAINES LETNIKOF COVE PIPE FLOAT
CONCEPT #1 STEEL PONTOON FLOAT PLAN

Designed by: CB	Drawn by: MB	Reviewed by: REV/R	Submitted by: MOFFATT & NICHOL
Date: 2/29/2024	M&N Project No. 232899	Drawing code:	Per Scale: 1:1 (0 SHEET)

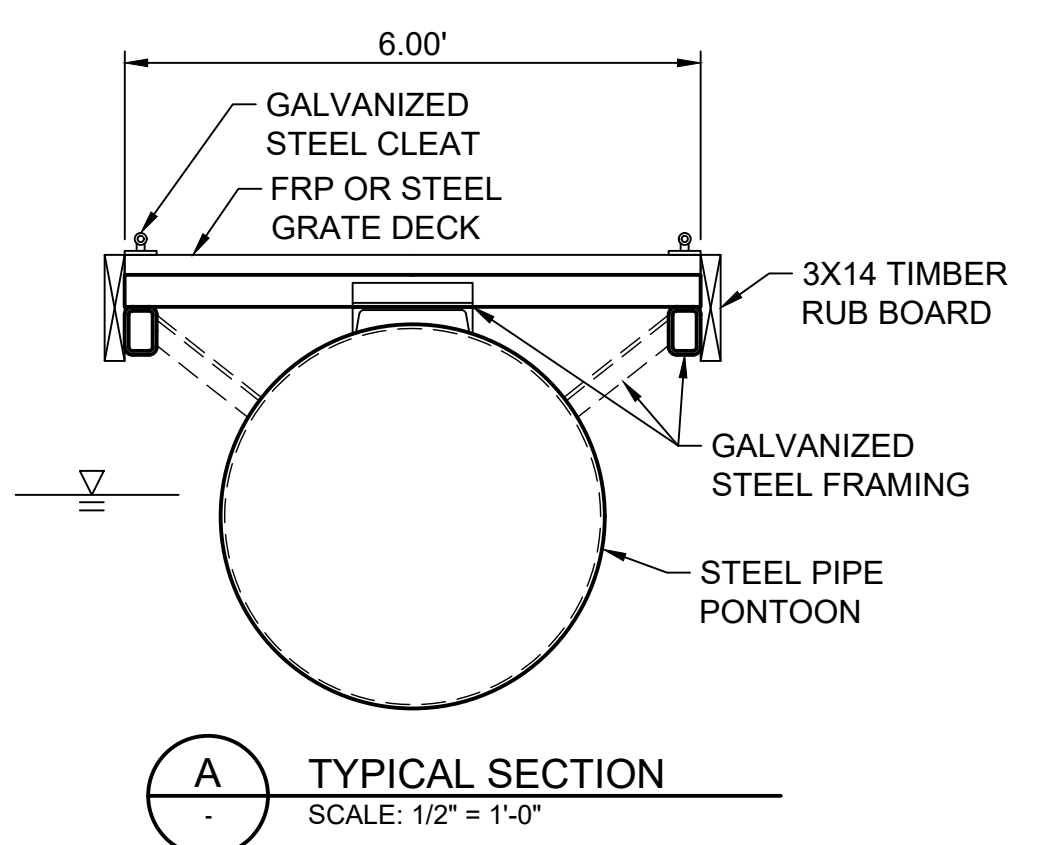
890 H STREET, STE. 208
 ANCHORAGE, AK 99501
 907-677-7500

SEAL

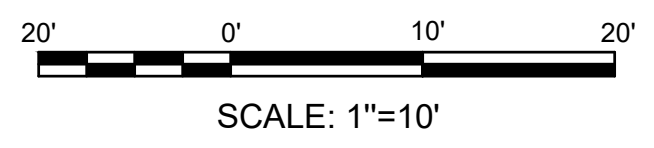
Sheet Reference No.
C-101
 INDEX: 3 OF 6



STEEL PONTOON PLAN
 SCALE: 1"=10'



A **TYPICAL SECTION**
 SCALE: 1/2" = 1'-0"



CONCEPTUAL
 ISSUED 2/29/2024
 NOT TO BE USED FOR CONSTRUCTION



Rev.	Date	Description	Mark

HAINES LETNIKOF COVE PIPE FLOAT
CONCEPT #3 CONCRETE FLOAT PLAN

Designed by: CB	Drawn by: CB	Reviewed by: REYR	Submitted by: MOFFATT & NICHOL
Date: 2/29/2024	M&N Project No. 232899	Drawing code:	Per Scale: 1" = 10' (0 SHEET)

880 H STREET, STE. 208
 ANCHORAGE, AK 99501
 907-677-7500

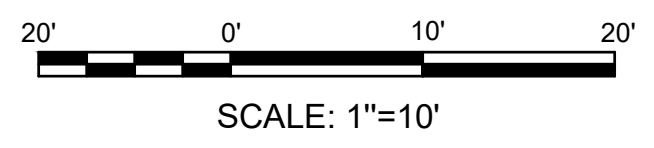
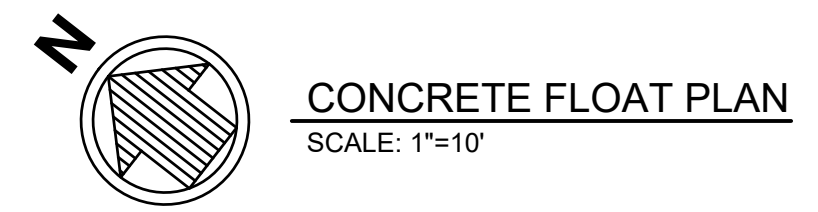
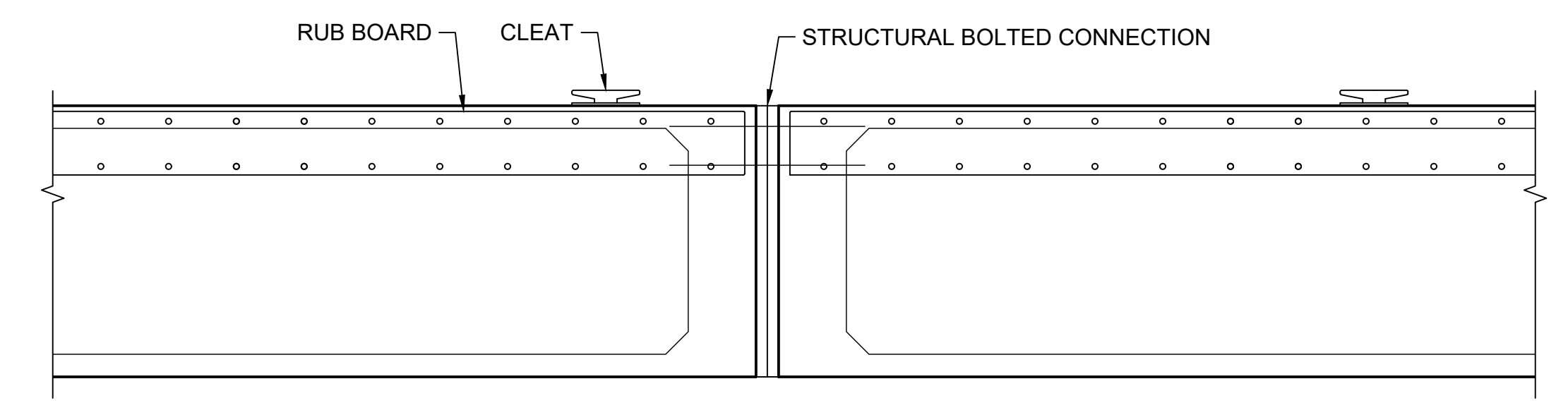
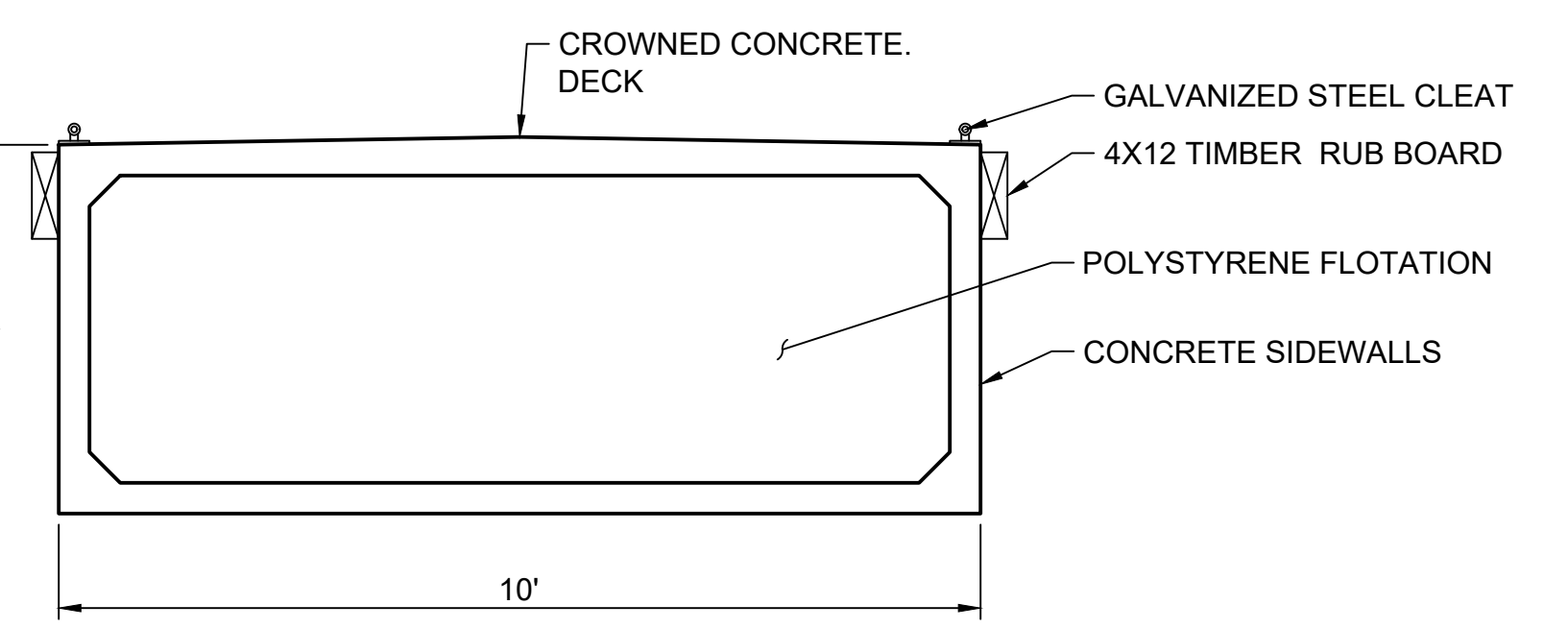
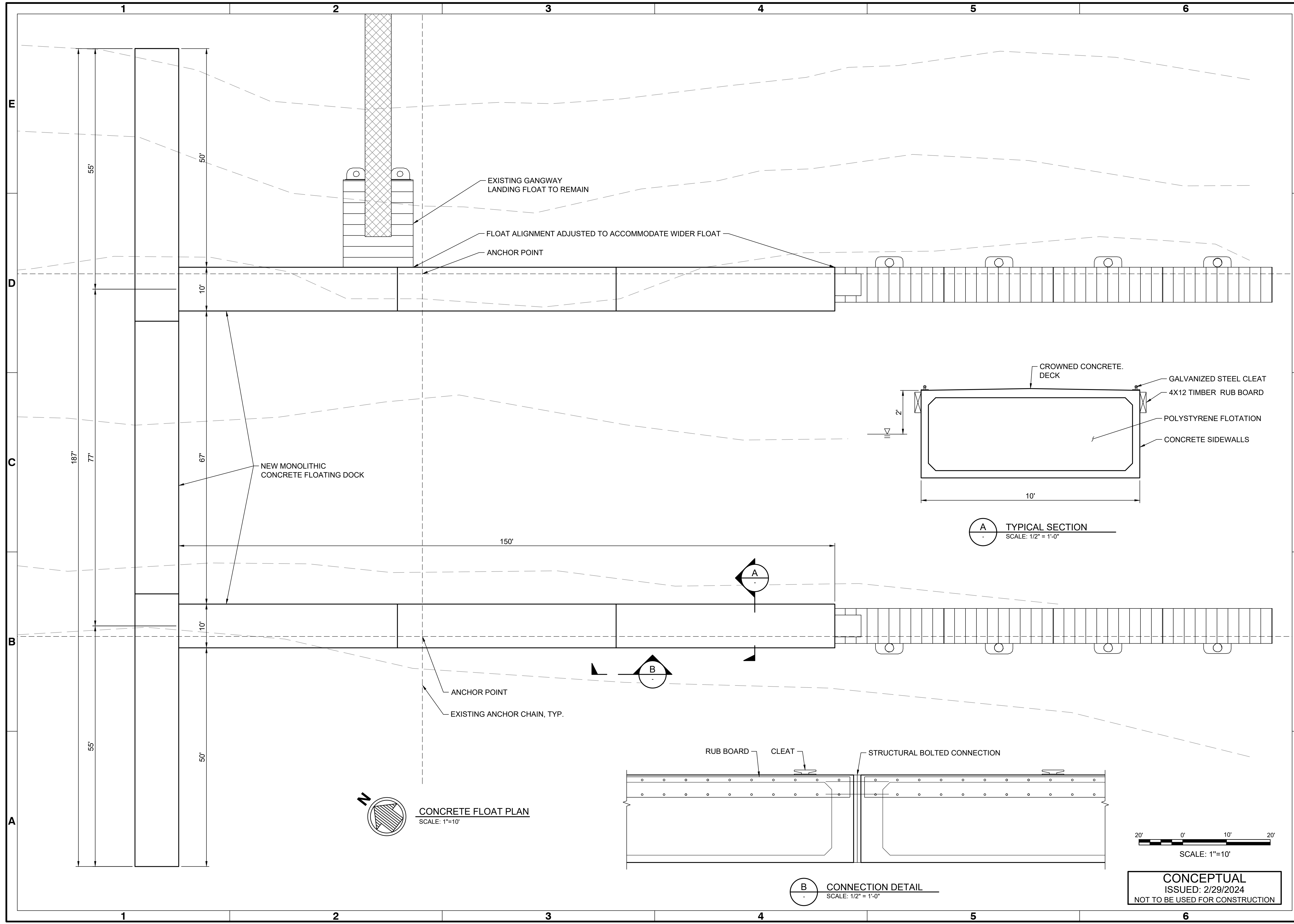
moffatt & nichol

Submitted by:
MOFFATT & NICHOL

File: Q:\AK\232899\20 CADD\ Active\ sheets\232899_C-102_Plotter: 3/6/2024 9:40 AM by BALZARINI, CHARLES - Saved: 3/4/2024 9:30 PM by CBALZARINI

SEAL

Sheet Reference No.
C-103
 INDEX: 5 OF 6



CONCEPTUAL
 ISSUED: 2/29/2024
 NOT TO BE USED FOR CONSTRUCTION



Rev.	Date	Description	Mark

HAINES LETNIKOF COVE PIPE FLOAT

OPTIONS AND FEATURES

Designed by:	CB	Date:	3/4/24
Drawn by:	CB	MAN Project No.:	232899
Reviewed by:	REYR	Drawn by:	MB
Submitted by:	MOFFATT & NICHOL	Drawing code:	
Per Scale:	1" = 1'-0" SHEET		

880 H STREET, STE. 208
ANCHORAGE, AK 99501
907-677-7500

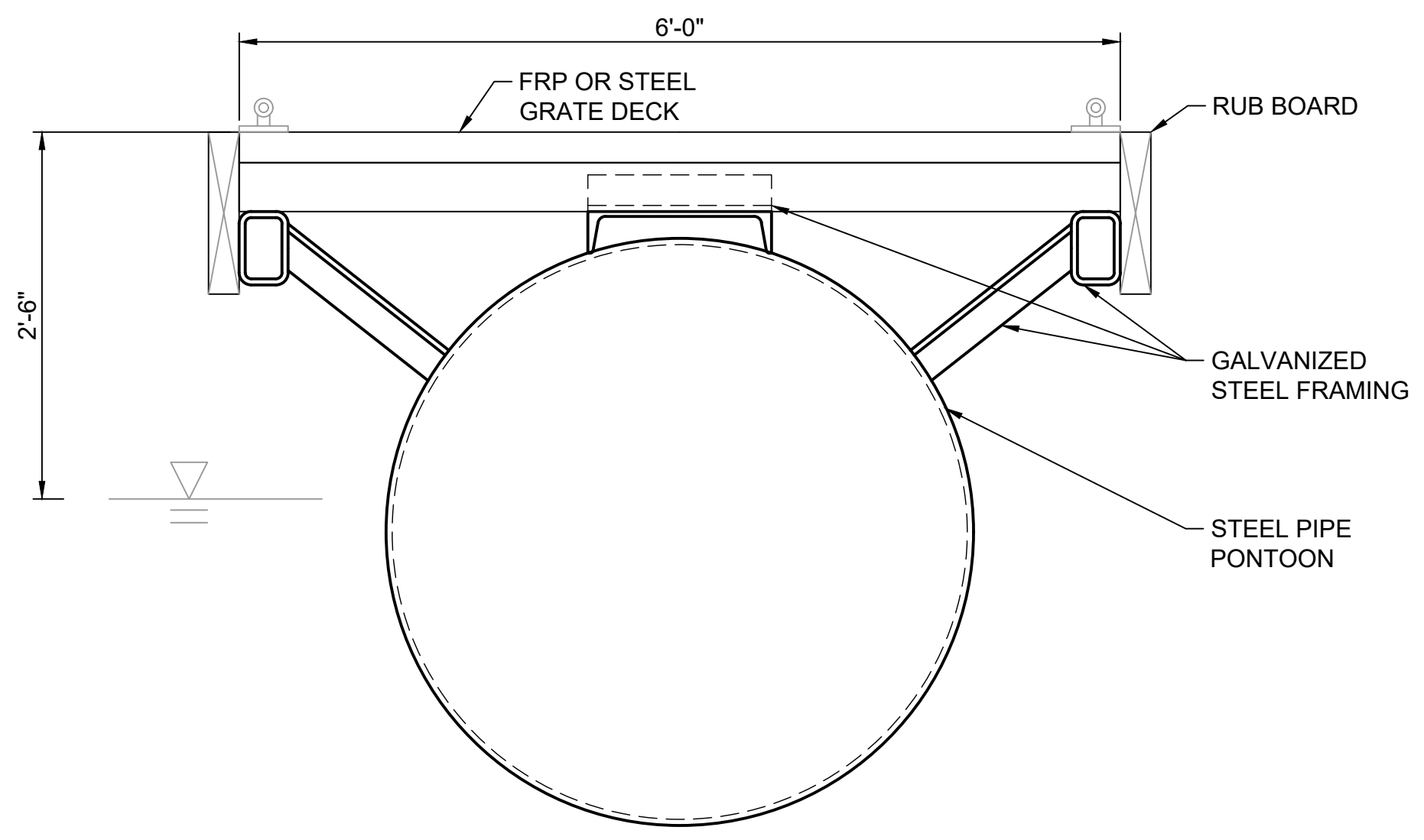
moffatt & nichol

Submitted by: MOFFATT & NICHOL

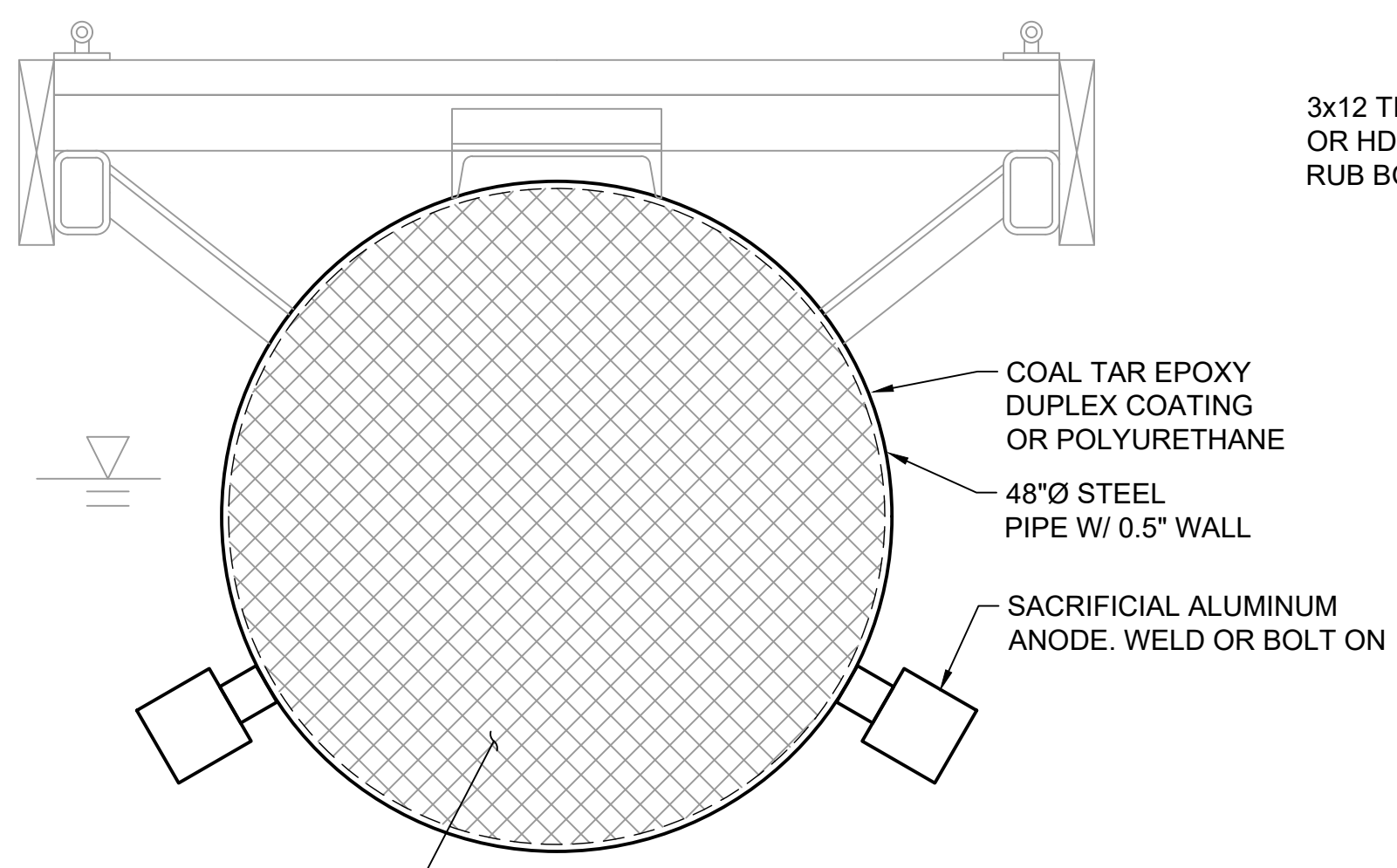
3/8/2024 9:40 AM by BALZARINI, CHARLES - Saved: 3/4/2024 10:00 PM by CBALZARINI

SEAL

Sheet Reference No.
C-501
INDEX: 6 OF 6

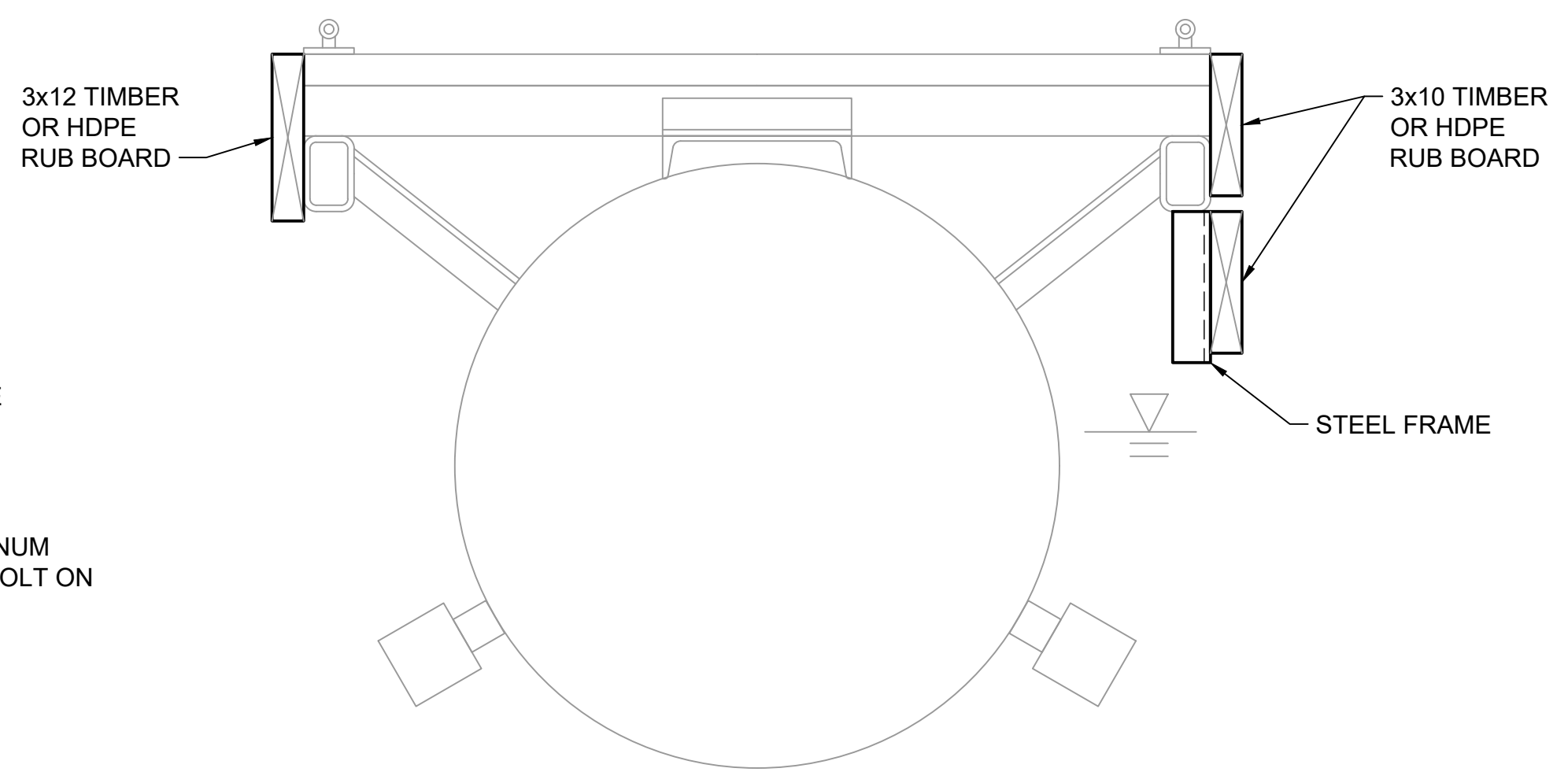


A TYPICAL PIPE FLOAT SECTION
SCALE: 1" = 1'-0"

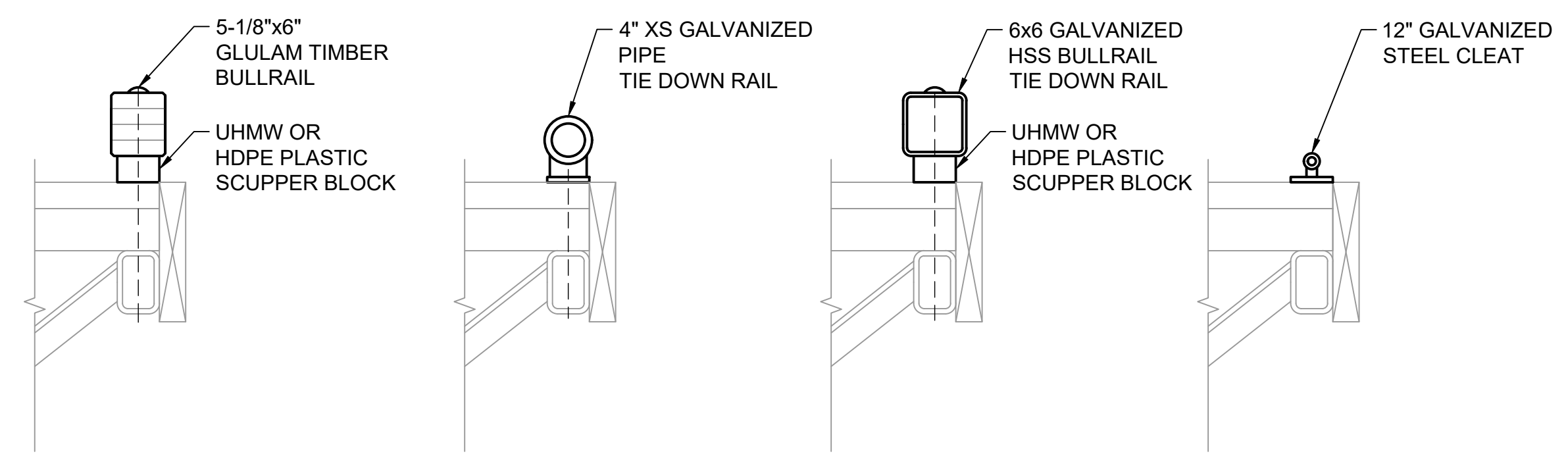


B PONTOON DETAIL
SCALE: 1" = 1'-0"

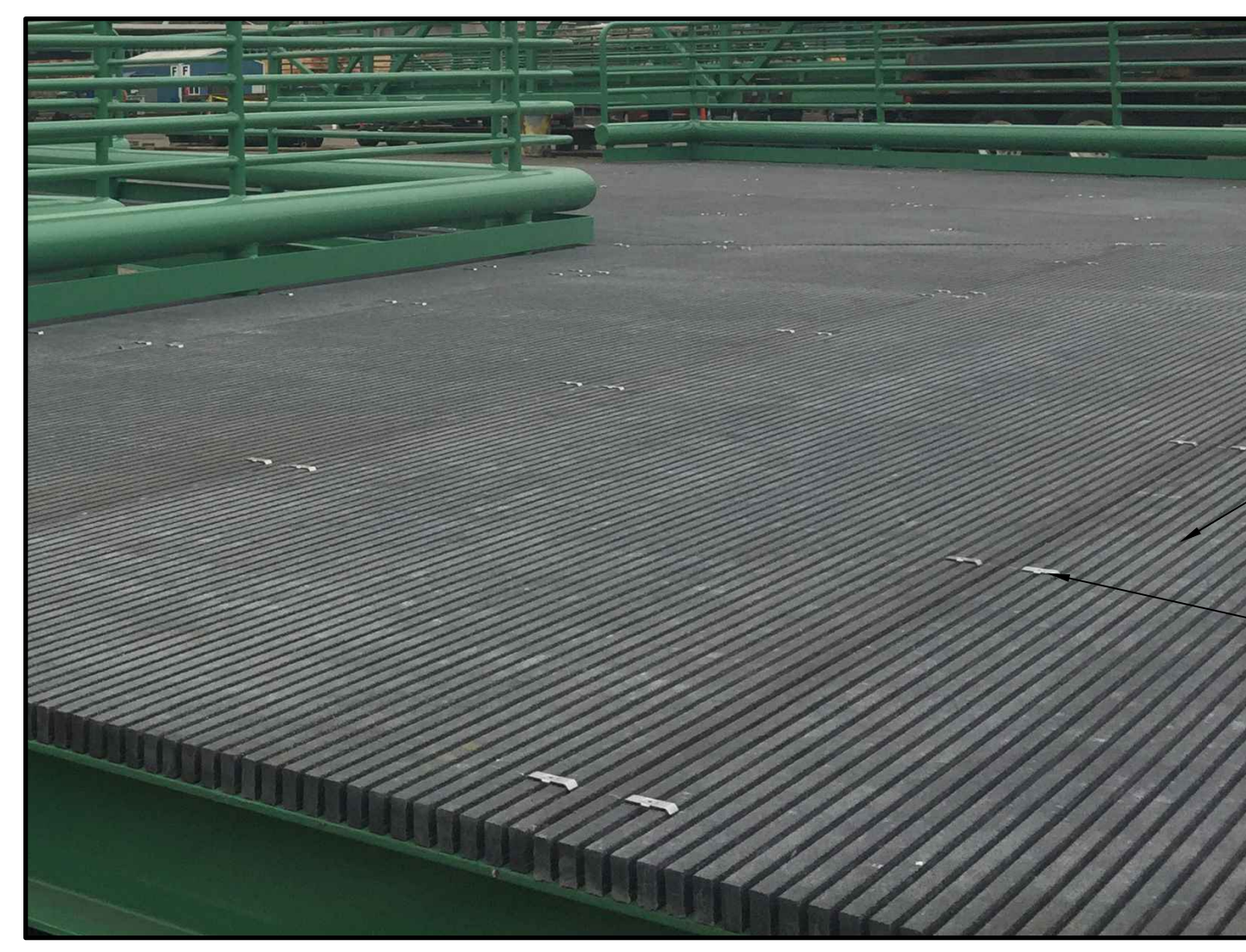
NOTE: DOUBLE PONTOON SIMILAR



C SKIFF RUB BOARD
SCALE: 1" = 1'-0"



D TIE DOWN OPTIONS
SCALE: 1" = 1'-0"



E FRP GRATED DECK
SCALE: NTS

FIBERGLASS REINFORCED PLASTIC OR FIBERGLASS PULTRUDED GRATING "FIBERGRATE SAFE-T-SPAN"

STAINLESS HARDWARE

CONCEPTUAL
ISSUED: 2/29/2024
NOT TO BE USED FOR CONSTRUCTION